

Transport heavy healthcare equipment safely & efficiently



Improving the lives of
healthcare professionals.

STAMINALIFT  RIHA Industries

Transport heavy healthcare equipment safely & efficiently

The Easi Rider and Easi Mover tugs offer exceptional manoeuvrability and towing capacity, helping to eliminate the risk of straining muscles when moving heavy equipment in healthcare settings.

Capable of moving up to 1500kg of equipment such as linen or meal trolleys and medical equipment, the Easi Rider and Easi Mover tugs make life safer and much easier for healthcare professionals.

Easy to use, quiet, and compact

Adjustable hitch attachment to easily navigate both floor imperfections and ramps

Heavy duty construction with high-quality, heavy gauge steel and four wheels for stability

Safety features like auto braking and an emergency stop to prevent freewheeling

Rated for secure use on slopes and ramps


Lockable jaws to prevent inadvertent disengagement and rolling

Non-marking drive wheels to prevent floor damage

Keyless control and safety lockout to prevent unauthorised use

Fast service and replacement parts if needed

Certified Australian-made



Faster, easier,
and ergonomically
safer than manual
moving methods

Easi Rider

The Easi Rider offers ultimate comfort and ease, featuring a stand-on platform or adjustable seat to reduce physical strain on healthcare staff.

360-degree turning radius for easy manoeuvring in challenging corridors and doorways

Joystick controls for precise and effortless operation

Brake Bypass System to allow for movement in case of a flat battery

Bluetooth connectivity to access diagnostic feedback and usage history, simplifying servicing and identifying training needs for better utilisation

Sufficient charge to operate for a standard shift (6x 12V20Ah)

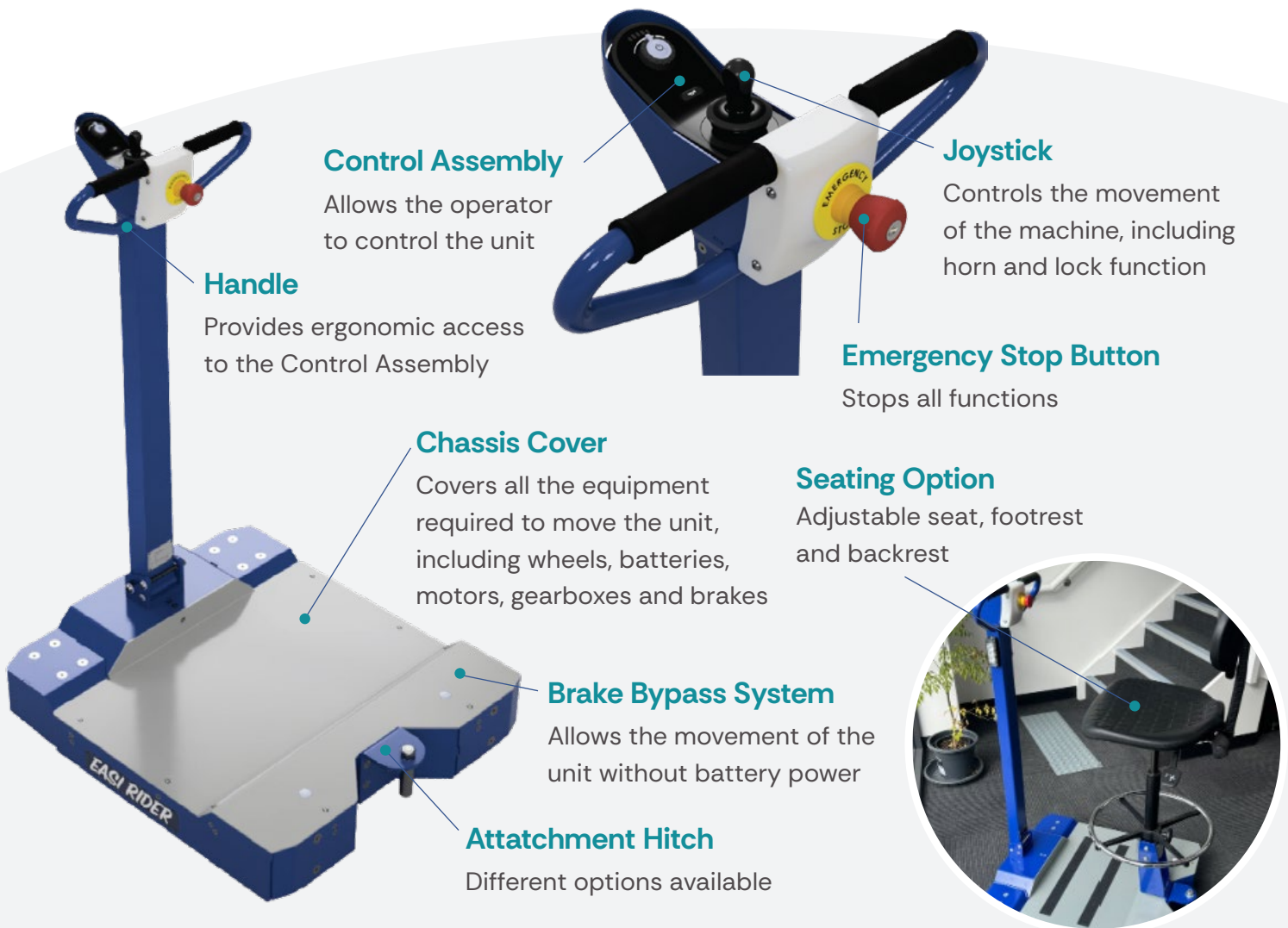
Seating option includes an adjustable seat, footrest and backrest

Optional strobe lights and pulsing buzzer for added safety and visibility in busy environments

Scan to use augmented reality and see the Easi Rider in action in your environment:



Check out the 3D model to explore more great features: rihaindustries.com/easi-rider



Handle

Provides ergonomic access to the Control Assembly

Control Assembly

Allows the operator to control the unit

Joystick

Controls the movement of the machine, including horn and lock function

Emergency Stop Button

Stops all functions

Chassis Cover

Covers all the equipment required to move the unit, including wheels, batteries, motors, gearboxes and brakes

Seating Option

Adjustable seat, footrest and backrest

Brake Bypass System

Allows the movement of the unit without battery power

Attachment Hitch

Different options available

Easi Mover

The Easi Mover offers you a tug you can walk alongside – ideal for safety and shorter distances.

Simple operation with a single throttle controlling speed, forward and reverse movement

Adjustable controller height to suit most operators

Compact design for easy transport into standard elevators

Sufficient charge to operate for a standard shift (2x 12V50Ah)

Compatible with an electric adjustable hitch, allowing height adjustments at the push of a button

Scan to use augmented reality and see the Easi Mover in action in your environment:



Check out the 3D model to explore more great features: rihaindustries.com/easi-mover

Attachment Hitch

Different options available



Handle

Provides ergonomic access to the Control Assembly

Control Assembly

Allows operator to turn machine on/off, activate the horn button and control the movement of the unit

On/Off Key Switch

Turns unit on/off

Horn Button

Activates horn

Back Off Button

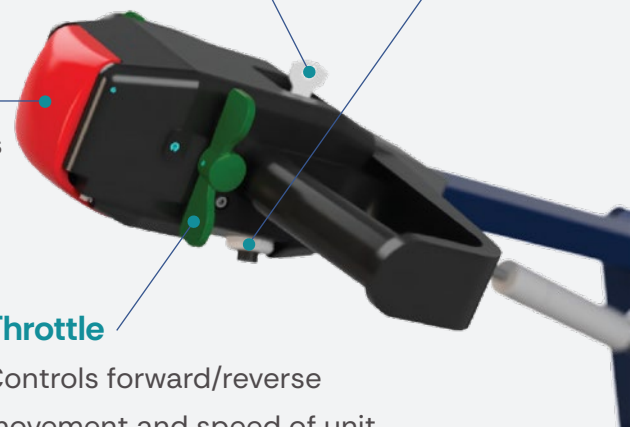
Stops unit and drives machine away from operator for 1.5s when activated

Throttle

Controls forward/reverse movement and speed of unit

Battery Gauge

Monitors battery charge level when machine is turned on



Hitches

Our patented, adjustable hitches for the Easi Rider and Easi Mover offer unmatched compatibility and configurations.

We are also able to make modifications when desired, giving you maximum options for manoeuvring your equipment. Options include:

Pin Hitch

Ideal for linen and meal trolleys, hinged tow bar trolleys, wheelie bins, store trolleys and other trolleys with a round or square tube frame

Stainless steel pin with a 22mm diameter



Adjustable Hitches

Foot-operated for maximum ease

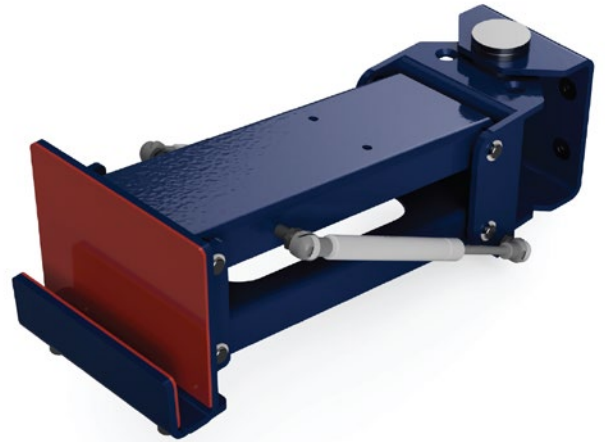
Compatible with a wide range of trolleys and can be easily customised

Designed for round or square tube frames with dimensions from 20mm to 40mm

Two options available, offered with a 55-degree rotation or 75-degree rotation on each side, ideal for navigating tight corners and confined spaces

Allows both vertical and horizontal movement

Attachment height range: 40mm to 330mm off the ground



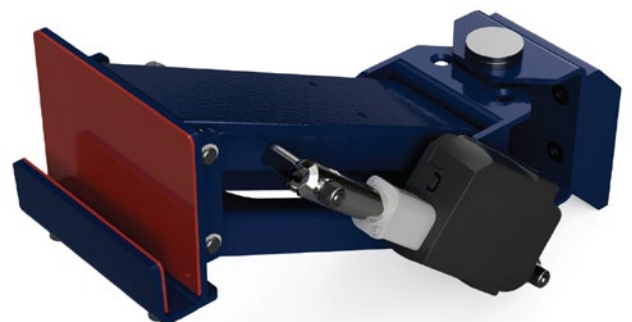
Electric Adjustable Hitch

Offers adjustable heights at the push of a button, eliminating manual handling

Allows both vertical and horizontal movement

Suitable for the Easi Mover

Attachment height range: 40mm to 330mm off the ground



Service & Support

RIHA Industries offers national service coverage in Australia. All products are fully supported and parts can be shipped worldwide within 24 hours.

Spare and replacement parts are available on our website – and you can even use our 3D viewer online to assist with basic, in-house servicing and part replacement in the event you need urgent assistance.

Contact Us

Contact RIHA Industries today to learn more about our tugs and hitches.

RIHA Industries
Unit 5, 7B Peachy Road
Edinburgh North, SA 5113

info@rihaindustries.com
rihaindustries.com

